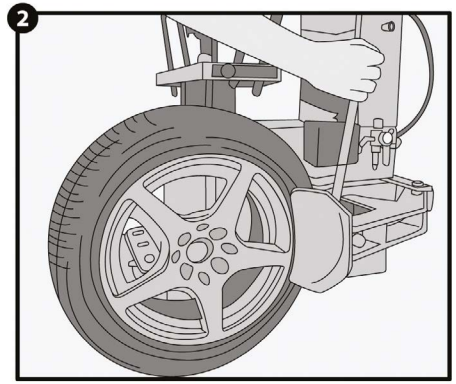
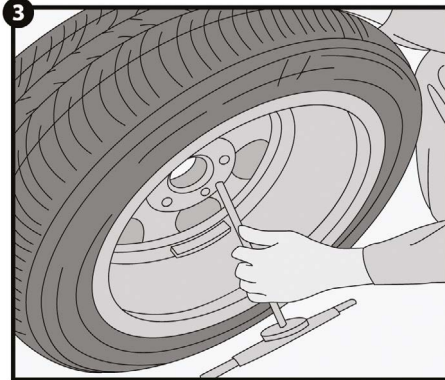


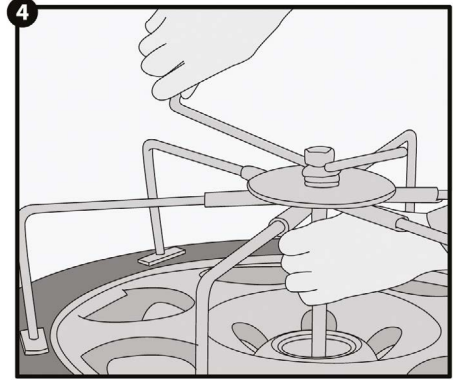
Assembled Portable Tool Kit.



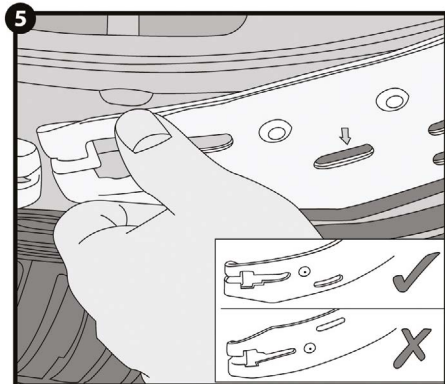
Break the outer bead of the tyre.



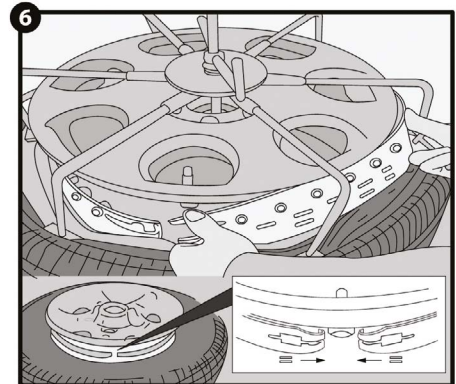
Place T-Rod under the wheel.



Turn handle to compress the tyre.



Make sure all Tyron bands are installed with ARROW mark pointing DOWN.



IMPORTANT: Band fixing should be located at the tyre valve.